

VISION INSIGHT PRO AI

Connected 4-Channel Dual-Lens AI Dashcam

The **VISION INSIGHT PRO AI** is an AI-powered dashcam designed to enhance road safety for drivers while streamlining fleet management operations. Leveraging advanced AI algorithms, it proactively identifies potential risks and unsafe driving behaviour, issuing real-time alerts to drivers and logging events for fleet management review.

Through seamless integration with Autonomise.ai, VisionTrack's fleet management platform, the **VISION INSIGHT PRO AI** delivers precise vehicle positioning data and operational insights in real-time. Additionally, it offers high-quality remote communication and video playback features, simplifying fleet oversight and improving operational efficiency.



Key features:



Ultra-wide 140° DFOV **road-facing lens**, supporting up to 1920P UHD video recording.



Dual-Micro SD Card storage, supporting the simultaneous storage of main streams and sub streams.



Ultra-wide 170° DFOV **driver-facing lens**, supporting up to 1080P HD video recording.



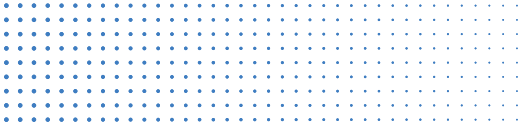
Built-in Wi-Fi, 4G communication module and inertial navigation positioning module.



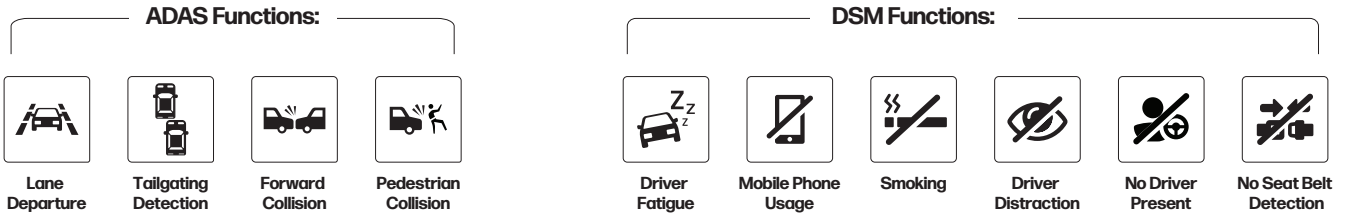
Supports up to **4-channel** video recording.

t +44 (0) 1246 225 745
e info@visiontrack.com
w visiontrack.com
s support.visiontrack.com





VISION INSIGHT PRO AI

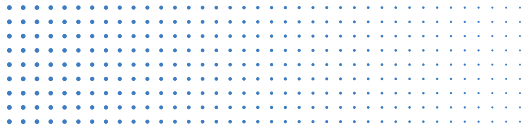


Specifications:

System	Embedded Linux
System Language	Supports English, Spanish, Portuguese, French, Russian, Chinese and Japanese
Video Recording	4-channel video (default: 2-channel; extension: 2-channel)
Max. Capability (with 2-channel AI)	1920p @ 25fps (Road Facing) 1080p @ 25fps (Driver Facing) 1080p @ 25fps (AHD) 800p @ 20fps (DSM over IPC) Default Configuration: 1080p @ 15fps (Road Facing) 720p @ 15fps (Driver Facing) 720p @ 15fps (AHD) 800p @ 20fps (DSM over IPC)
Image Setup	Adjustable brightness, chroma, contrast, colour saturation and sharpness
Video Coding	H.264 / H.265 (default: H.264)
Audio Compression Standard	ADPCM/G.711/G.726 (default: G.711t)
CBR/VBR	Supports Constant or Variable Bitrate (default: VBR)
Audio	Built-in mic
Loudspeaker	Built-in 3W loudspeaker with adjustable volume (not less than 70dB at 1m distance)
Road-Facing Lens	Focal length: 2.8 mm HFOV: 123°; VFOV: 65°; DFOV: 140°; Deviation: ±5°
Sensor Type	1/2.7" 5-megapixel CMOS sensor
Shutter Speed	1/30s–1/100000s

t +44 (0) 1246 225 745
e info@visiontrack.com
w visiontrack.com
s support.visiontrack.com





VISION INSIGHT PRO AI

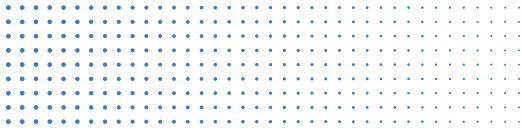
Minimum Illuminance	Colour: 0.05 Lux/F1.2
Lens Mount	Built-in lens
Wide Dynamic Range (WDR)	Digital WDR
Backlight Compensation	Supported
Signal-to-Noise Ratio (S/N)	≥48dB

Driver-Facing Lens

Sensor Type	1/2.9" 2-megapixel CMOS sensor
Shutter Speed	1/30s~1/100000s
Lens	Focal length: 2.2 mm HFOV: 151°; VFOV: 84°; DFOV: 170°; Deviation: ±5°
Lens Mount	Built-in lens
Wide Dynamic Range (WDR)	Digital WDR
Backlight Compensation	Supported
Signal-to-Noise Ratio (S/N)	≥45db

Infrared Lamp Thresholds	Day to Night: 4 lux Night to Day: 8 lux
Six-Axis Motion Sensor	Harsh acceleration, Harsh deceleration, Harsh cornering and incident detection.
Environmental Light Sensor	Supported, used as the cockpit camera, subject to day/night switching.
I/O Port	3-channel input
USB	1x Mini USB port (configuration only)
Button	1x Event Button





VISION INSIGHT PRO AI

Micro SD Card Micro SD card×2, (SDXC 32GB/64GB/128GB/256GB) Read/write rate: Class10 or above is recommended.

Road Facing Only (Based on Recommended Recording Settings)

SD Card Size	High Definition (SD Slot 1)	Standard Definition (SD Slot 2)
64GB	23.7 Hours	92.5 Hours
128GB	44.2 Hours	172.8 Hours
256GB	90.8 Hours	354.9 Hours

Road and Driver Facing (Based on Recommended Recording Settings)

SD Card Size	High Definition (SD Slot 1)	Standard Definition (SD Slot 2)
64GB MicroSD	15.7 Hours	58.2 Hours
128GB MicroSD	29.3 Hours	108.7 Hours
256GB MicroSD	60.3 Hours	223.3 Hours

Wi-Fi Supports 2.4G (IEEE Std.802.11a/IEEE Std.802.11b/IEEE Std.802.11g/IEEE Std.802.11n).

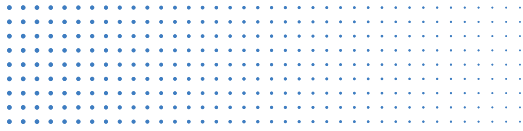
4G Plug-in SIM card (Nano SIM card)

- For North America: LTE FDD: B2/B4/B5/B12/B13/B14/B66/B71. WCDMA: B2/B4/B5.
- For Europe and Asia: LTE FDD: B1/B3/B7/B8/B20/B28A. WCDMA: B1/B8 GSM: B3/B8.
- For Latin America: LTE FDD: B1/B2/B3/B4/B5/B7/B8/B28. LTE TDD: B40 WCDMA: B1/B2/B5/B8 GSM: B2/B3/B5/B8

GNSS GPS L1 1575.42MHz; GALILEO E1B/C1; GLONASS L1OF 1602MHz; SBAS: WAAS, EGNOS, MSAS, GAGAN

t +44 (0) 1246 225 745
e info@visiontrack.com
w visiontrack.com
s support.visiontrack.com

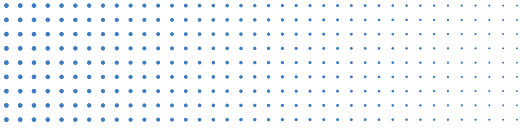




VISION INSIGHT PRO AI

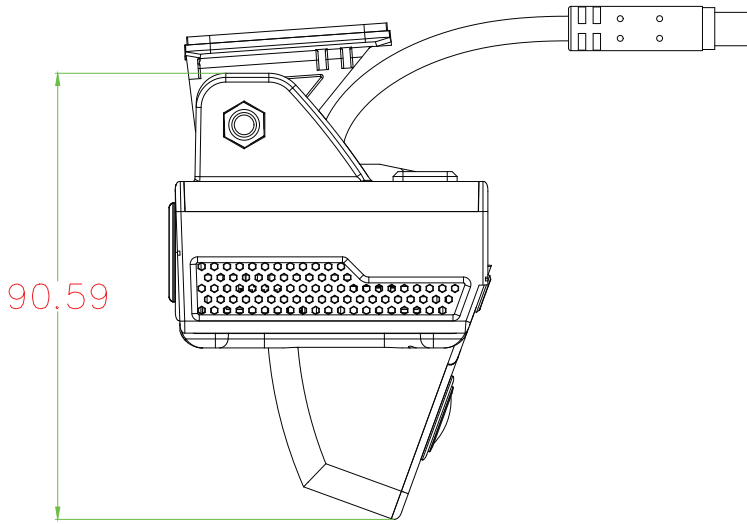
Power Supply	12~24V
Power Consumption	<ul style="list-style-type: none">• Standby: 6.78mA @ 12v 3.77mA @ 24v• Sleep: 96.4mA @ 12v 51.52mA @ 24v• Active: 474.66mA @ 13.8v 250.77mA @ 27v
Operating Temperature	-40°C ~ +70°C (-40°F ~ +158°F)
Storage Temperature	-40°C ~ +85°C (-40°F ~ +185°F)
Operating Humidity	15~95% non-condensing
Storage Humidity	15~95% non-condensing
IP Rating	IP30 * The Dashcam is non-waterproof
Dimensions L×W×H	Dashcam: 113.0 mm×67.8 mm×88.2 mm (excluding bracket); Deviation: ±2 mm Package: 176 mm×150 mm×114 mm; Deviation: ±3 mm
Weight	Net weight (device only): 295g Gross weight (including accessories and package): 745g Deviation: ±10g * The actual dimensions and weight may vary with individual product differences, manufacturing processes and testing methods.
Package Contents	<ul style="list-style-type: none">• 1 x power supply unit• 1 x standard power cable• 1x Allen key• 1 x mounting bracket• 1 x bracket bolt• 1 x lever• 1 x desiccant• 1 x alcohol cotton * The configuration may vary in different regions.



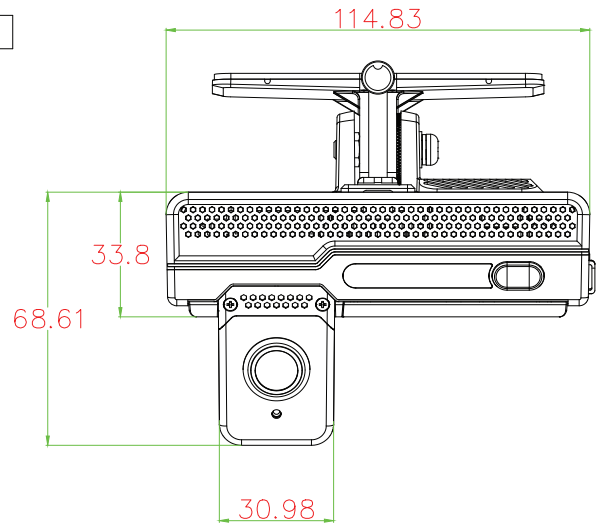


VISION INSIGHT PRO AI

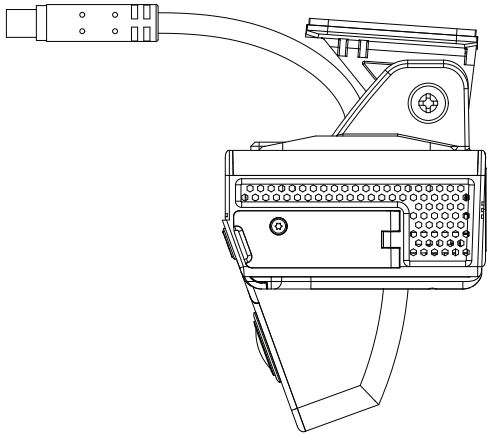
Dimensions:



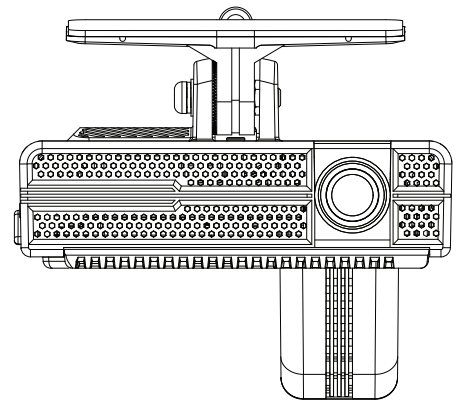
Left View



Front View



Right View



Rear View

t +44 (0) 1246 225 745
e info@visiontrack.com
w visiontrack.com
s support.visiontrack.com

